

# TDL 430 TR

**CHASSIS  
MANICO  
COMANDI  
DOTAZIONE VITERIE**

**DECK  
HANDLE  
CONTROLS  
SCREWS OUTFITS**

**CHÂSSIS  
MANCHERON  
COMMANDES  
DOTATION VISSERIE**

**GEHÄUSE  
HOLM  
BETÄTIGUNGEN  
SCHRAUBENSATZ**

**SPARE PARTS CATALOGUE**

**ERSATZTEILKATALOG**

**GB**

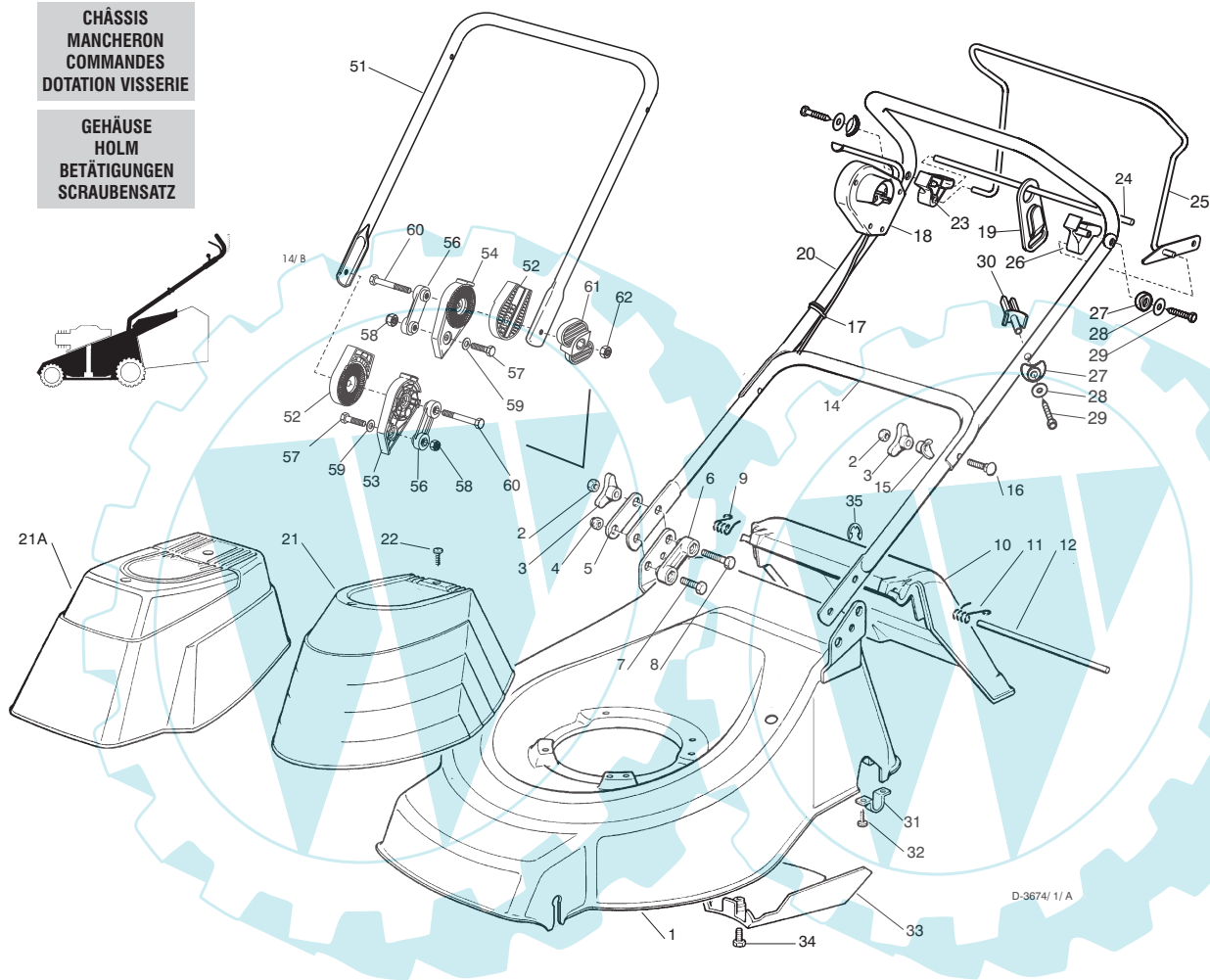
**D**

**CATALOGO DELLE PARTI  
DI RICAMBIO**

**CATALOGUE DES PIÈCES  
DE RECHANGE**

**I**

**F**



D-3674/ 1/ A

| Pos. Nr. | Codice Code Kodex | Q.tà Q.ty-Q.tè Menge | Descrizione                 | Description                 | Description                | Beschreibung               |
|----------|-------------------|----------------------|-----------------------------|-----------------------------|----------------------------|----------------------------|
| 1        |                   |                      | CHASSIS                     | DECK                        | CHÂSSIS                    | GEHÄUSE                    |
| —        | 81001645/ 0       | 1                    | ROSSO                       | RED                         | ROUGE                      | ROTES                      |
| —        | 81001646/ 0       | 1                    | GIALLO                      | YELLOW                      | JAUNE                      | GELBES                     |
| —        | 81001647/ 0       | 1                    | VERDE                       | GREEN                       | VERT                       | GRÜNES                     |
| 2        | 12293200/ 0       | 4                    | DADO                        | NUT                         | ECROU                      | MUTTER                     |
| 3        | 22399900/ 0       | 4                    | MANOPOLINA                  | KNOB                        | POIGN9E                    | GRIF                       |
| 4        | 12155000/ 0       | 2                    | DADO                        | NUT                         | ECROU                      | MUTTER                     |
| 5        | 22551574/ 0       | 2                    | PIASTRINA ESTERNA           | OUTSIDE PLAQUE              | PLAQUETTE EXTERNE          | INNERE PLATTE              |
| 6        | 22551575/ 0       | 2                    | PIASTRINA INTERNA           | INSIDE PLAQUE               | PLAQUETTE INTERNE          | INNERE PLATTE              |
| 7        | 12793300/ 0       | 2                    | VITE                        | SCREW                       | VIS                        | SCHRAUBE                   |
| 8        | 12691115/ 0       | 2                    | VITE                        | SCREW                       | VIS                        | SCHRAUBE                   |
| 9        | 22450410/ 1       | 1                    | MOLLA DESTRA                | RIGHT SPRING                | RESSORT DROITE             | RECHTE FEDER               |
| 10       | 22600046/ 4       | 1                    | PARASASSI                   | STONEGUARD                  | PAREPIERRES                | PRALLBLECH                 |
| 11       | 22450420/ 1       | 1                    | MOLLA SINISTRA              | LEFT SPRING                 | RESSORT GAUCHE             | LINKE FEDER                |
| 12       | 22517906/ 1       | 1                    | PERNO                       | PIN                         | PIVOT                      | BOLZEN                     |
| 14       | 81006512/ 0       | 1                    | PARTE INFERIORE MANICO      | LOWER HANDLE                | PARTIE INF. MANCHERON      | OBERHOLM                   |
| 15       | 22680006/ 1       | 2                    | RONDELLA                    | WASHER                      | RONDELLE                   | SCHIBE                     |
| 16       | 12819201/ 0       | 2                    | VITE                        | SCREW                       | VIS                        | SCHRAUBE                   |
| 17       | 22192000/ 1       | 2                    | FASCETTA ANCORAGGIO         | ANCHOR CLAMP                | COLLIER ANCRAGE            | BOWDENZUGHALTER            |
| 18       | 18710603/ 0       | 1                    | SALVAMOTORE M.M. 11A 602 MS | DEAD HAND SWITCH 11A 602 MS | INT. MAIN MORTE 11A 602 MS | TOT MANSCHALTER 11A 602 MS |

T-3674/ 1/ A

| Pos. Nr. | Codice Code Kodex | Q.tà Q.ty-Q.tè Menge | Descrizione            | Description         | Description           | Beschreibung     |
|----------|-------------------|----------------------|------------------------|---------------------|-----------------------|------------------|
| 19       | 22195101/ 1       | 1                    | FERMACAVO              | FAIR LEAD           | FIXATION CABLE        | KABELBEFESTIGUNG |
| 20       | 81006957/ 0       | 1                    | PARTE SUPERIORE MANICO | UPPER HANDLE        | PARTIE SUP. MANCHERON | UNTERHOLM        |
| 21       | 22055033/ 1       | 1                    | CAPOTTINA              | COVER               | CAPOT                 | HAUBE            |
| 21A      | 22055045/ 1       | 1                    | CAPOTTINA              | COVER               | CAPOT                 | HAUBE            |
| 22       | 12728680/ 0       | 2                    | VITE                   | SCREW               | VIS                   | SCHRAUBE         |
| 23       | 22806518/ 0       | 1                    | SUPPORTO DESTRO        | RIGHT FIXED BEARING | SUPPORT DROITE        | RECHTER HALTER   |
| 24       | 22020320/ 0       | 1                    | AGGANCIO FERMACAVO     | FAIRLEAD BEARING    | SUPPORT SERRECABLE    | KABELHALTER      |
| 25       | 81001245/ 0       | 1                    | LEVA TRAZIONE          | DRIVING LEVER       | LEVIER TRACTION       | ANTRIEBHEBEL     |
| 26       | 22806519/ 0       | 1                    | SUPPORTO SINISTRO      | LEFT FIXED BEARING  | SUPPORT GAUCHE        | LINKER HALTER    |
| 27       | 22680007/ 0       | 3                    | RONDELLA               | WASHER              | RONDELLE              | SCHIBE           |
| 28       | 12523040/ 0       | 3                    | RONDELLA               | WASHER              | RONDELLE              | SCHIBE           |
| 29       | 12735103/ 0       | 3                    | VITE                   | SCREW               | VIS                   | SCHRAUBE         |
| 30       | 22806520/ 0       | 1                    | SUPPORTO REGISTRO      | ADJUSTER SUPPORT    | SUPPORT ECROU REG.    | REGLERHALTER     |
| 34       | 22545152/ 0       | 2                    | PIASTRINA              | PLATE               | PLAQUETTE             | PLATTE           |
| 35       | 12788910/ 0       | 4                    | VITE                   | SCREW               | VIS                   | SCHRAUBE         |
| 36       | 22060191/ 0       | 1                    | CARTER CINGHIA         | BELT PROTECTION     | PROTECTION CORROIRE   | RIEMENSCHUTZ     |
| 37       | 12727791/ 0       | 1                    | VITE                   | SCREW               | VIS                   | SCHRAUBE         |
| 38       | 12000930/ 0       | 1                    | ANELLO ELASTICO        | SNAP RING           | ANNEAU RESSORT        | SPRENGRING       |

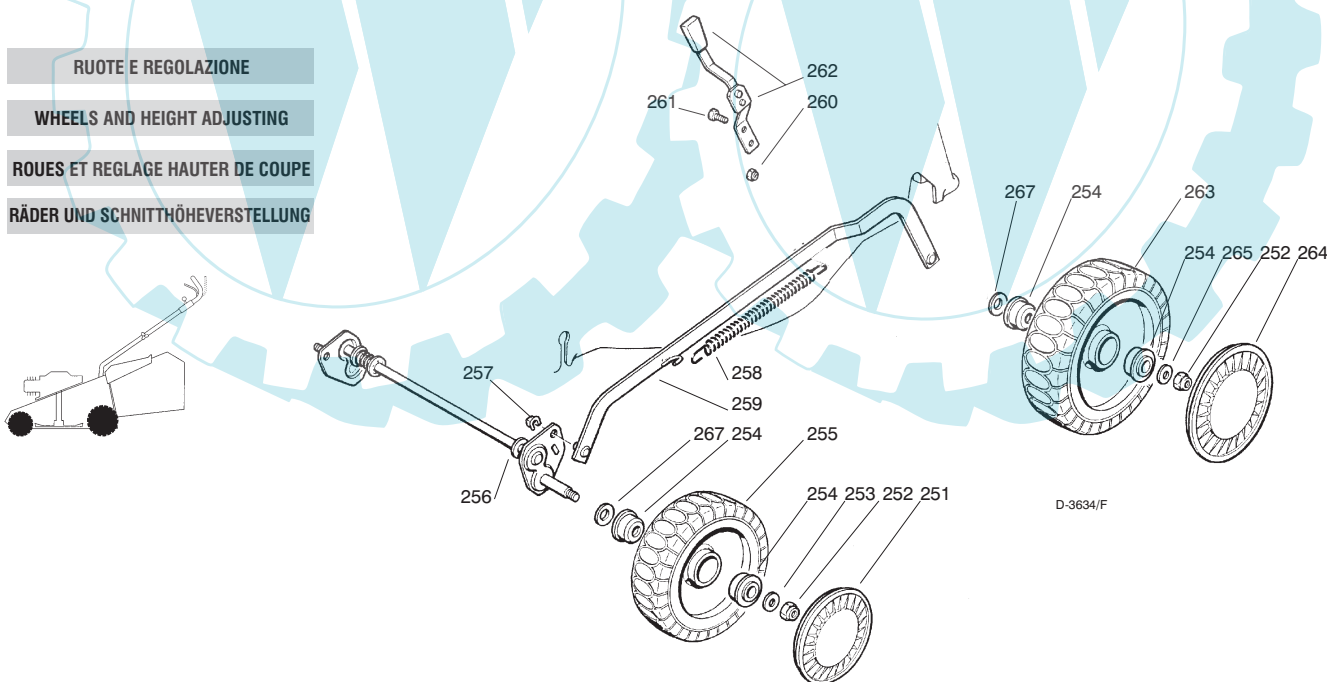
|   |             |  |                   |               |                   |                |
|---|-------------|--|-------------------|---------------|-------------------|----------------|
| — | 81008596/ 1 |  | DOTAZIONE VITERIA | SCREWS OUTFIT | DOTATION VISSERIE | SCHRAUBEN SATZ |
|---|-------------|--|-------------------|---------------|-------------------|----------------|

| VARIANTE REGOLAZIONE MANICO | HANDLE ADJUSTMENT VARIANT | VARIANTE REGLAGE POIGNEE | GRIFFEINSTELLVARIANTE |
|-----------------------------|---------------------------|--------------------------|-----------------------|
|-----------------------------|---------------------------|--------------------------|-----------------------|

T-3614/ B

|    |             |   |                     |                     |                        |                         |
|----|-------------|---|---------------------|---------------------|------------------------|-------------------------|
| 51 | 81006510/ 0 | 1 | PARTE INF. MANICO   | LOWER HANDLE        | PARTIE INF. MANCHERON  | UNTERHOLM               |
| 52 | 22785081/ 0 | 2 | SUPPORTO ESTERNO    | EXTERNAL SUPPORT    | SUPPORT EXTERNE        | AUßERE HALTERUNG        |
| 53 | 22785082/ 0 | 1 | SUPPORTO INTERNO DX | R. INTERNAL SUPPORT | SUPPORT INTERNE DROIT  | INNERE HALTERUNG RECHTS |
| 54 | 22785083/ 1 | 1 | SUPPORTO INTERNO SX | L. INTERNAL SUPPORT | SUPPORT INTERNE GAUCHE | INNERE HALTERUNG LINKS  |
| 56 | 22551575/ 0 | 2 | PIASTRINA INTERNA   | INSIDE PLAQUE       | PLAQUETTE INTERNE      | INNERE PLATTE           |
| 57 | 12793701/ 0 | 2 | VITE                | SCREW               | VIS                    | SCHRAUBE                |
| 58 | 12155000/ 0 | 2 | DADO                | NUT                 | ECROU                  | MUTTER                  |
| 59 | 12521350/ 0 | 2 | RONDELLA            | WASHER              | RONDELLE               | SCHIBE                  |
| 60 | 12691810/ 0 | 2 | VITE                | SCREW               | VIS                    | SCHRAUBE                |
| 61 | 22399803/ 0 | 2 | MANOPOLINA          | KNOB                | POIGNEE                | GRIFF                   |
| 62 | 12293202/ 0 | 2 | DADO                | NUT                 | ECROU                  | MUTTER                  |
| —  | 81008622/ 0 | 1 | DOTAZ. VITERIA      | SCREWS OUTFIT       | DOTATION VISSERIE      | SCHRAUBEN SATZ          |

**RUOTE E REGOLAZIONE**  
**WHEELS AND HEIGHT ADJUSTING**  
**ROUES ET REGLAGE HAUTER DE COUPE**  
**RÄDER UND SCHNITTHÖHEVERSTELLUNG**

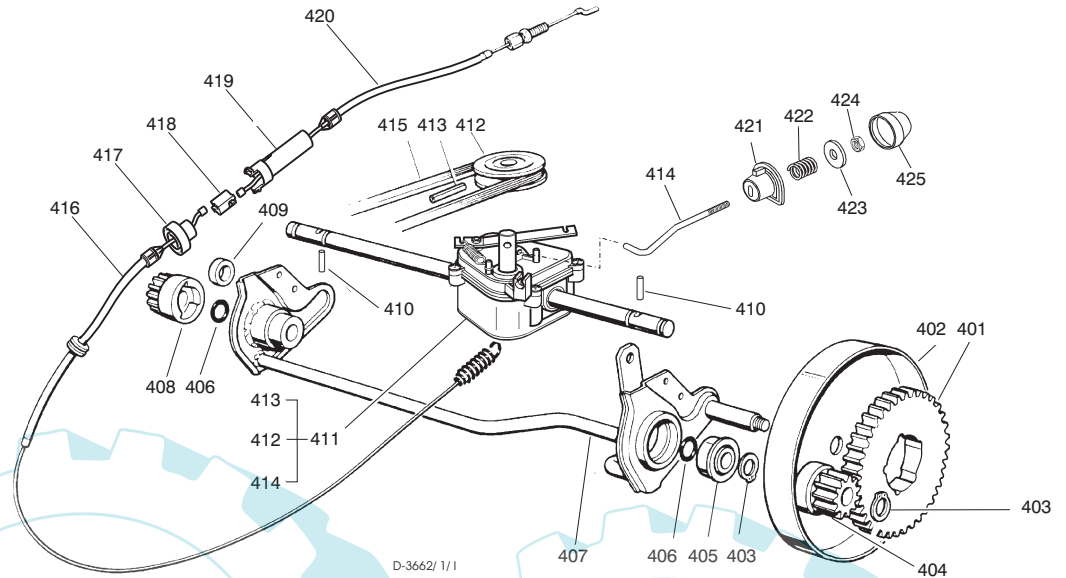
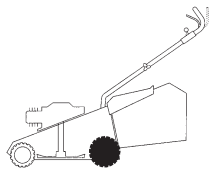


T-3634/ F

|     |             |   |                      |                     |                     |                         |
|-----|-------------|---|----------------------|---------------------|---------------------|-------------------------|
| 251 | ☒           |   | COPRIMOZZO           | HUB CAP             | COUVRE-MOYEU        | RADKAPPE                |
| —   | 22110282/ 0 | 2 | BIANCO               | WHITE               | BLANC               | WEIßE                   |
| —   | 22110288/ 0 | 2 | GIALLO               | YELLOW              | JAUNE               | GELBE                   |
| —   | 22110290/ 0 | 2 | ROSSO                | RED                 | ROUGE               | ROTE                    |
| 252 | 12155000/ 0 | 4 | DADO                 | NUT                 | ECROU               | MUTTER                  |
| 253 | 12521350/ 0 | 2 | RONDELLA             | WASHER              | RONDELLE            | SCHIBE                  |
| 254 | 22122200/ 0 | 8 | CUSCINETTO           | BEARING             | COUSSINET           | KUGELLAGER              |
| 255 | 81007317/ 0 | 2 | RUOTA SCOLPITA Ø 170 | KNOBBLY WHEEL Ø 170 | ROUE SCULPTEE Ø 170 | RAD M. STOLLENPR. Ø 170 |
| 256 | 81001272/ 0 | 1 | ASSE RUOTE ANTERIORE | FRONT WHEELS AXLE   | AXE ROUES AVANT     | VORDERRADACHSE          |
| 257 | 12436050/ 0 | 2 | PIASTRINA            | PLATE               | PLAQUETTE           | PLÄTTCHEN               |
| 258 | 22446180/ 0 | 1 | MOLLA                | SPRING              | RESSORT             | FEDER                   |
| 259 | 81001275/ 0 | 1 | ASTA COMANDO         | ADJUSTMENT ROD      | TIGE COMMANDE       | STELLSTAB               |
| 260 | 12154330/ 0 | 2 | DADO                 | NUT                 | ECROU               | MUTTER                  |
| 261 | 12789000/ 0 | 2 | VITE                 | SCREW               | VIS                 | SCHRAUBE                |
| 262 | 81003279/ 2 | 1 | LEVA REGOLAZIONE     | ADJUSTMENT LEVER    | LEVIER REGLAGE      | VERSTELLUNGHEBEL        |
| 263 | 81007318/ 1 | 2 | RUOTA SCOLPITA Ø 210 | KNOBBLY WHEEL Ø 210 | ROUE SCULPTEE Ø 210 | RAD M. STOLLENPR. Ø 210 |

| Pos. Nr. | Codice Code Kodex | Q.tà Q.ty-Q.tè Menge | Descrizione       | Description    | Description        | Beschreibung       |
|----------|-------------------|----------------------|-------------------|----------------|--------------------|--------------------|
| 264      |                   |                      | COPRIMOZZO        | HUB CAP        | COUVRE-MOYEU       | RADKAPPE           |
| —        | 22110281/0        | 2                    | BIANCO            | WHITE          | BLANC              | WEIÙE              |
| —        | 22110287/0        | 2                    | GIALLO            | YELLOW         | JAUNE              | GELBE              |
| —        | 22110289/0        | 2                    | ROSSO             | RED            | ROUGE              | ROTE               |
| 265      | 12369500/0        | 2                    | DISCO ELASTICO    | ELASTIC DISK   | RONDELLE ELASTIQUE | SCHEIBE            |
| 267      | 12530150/0        | 4                    | RONDELLA ELASTICA | ELASTIC WASHER | RONDELLE ELASTIQUE | ELASTISCHE SCHEIBE |

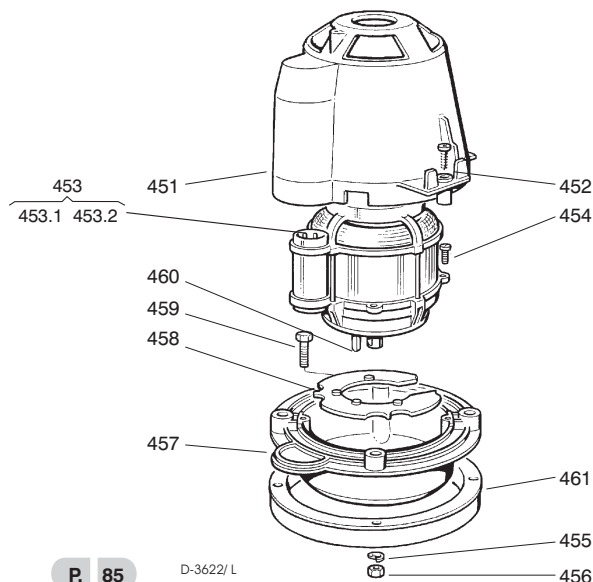
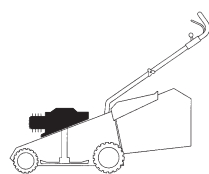
- GRUPPO TRAZIONE
- REAR DRIVE
- GROUPE TRACTION
- ANTRIEB



D-3662/1/1

|            |            |            |                     |                       |                       |                      |                        |
|------------|------------|------------|---------------------|-----------------------|-----------------------|----------------------|------------------------|
| T-3662/1/1 | 401        | 22120105/1 | 2                   | CORONA                | RING GEAR             | COURONNE             | KRANZ                  |
|            | 402        | 81006846/0 | 2                   | PROTEZIONE RUOTE      | WHEEL GUARD           | PROTECTION ROUE      | RÄDERSCHUTZ            |
|            | 403        | 12608600/0 | 4                   | SEEGER                | SEEGER                | SEEGER               | SEEGER                 |
|            | 404        | 22570120/0 | 1                   | PIGNONE SINISTRO      | LEFT PINION           | PIGNON GAUCHE        | LINKES RITZEL          |
|            | 405        | 22122200/0 | 2                   | CUSCINETTO            | BEARING               | COUSSINET            | LAGER                  |
|            | 406        | 12019900/0 | 2                   | ANELLO OR             | OR RING               | BAGUE OR             | RING OR                |
|            | 407        | 81001252/1 | 1                   | ASSE RUOTE POSTERIORE | REAR WHEELS AXLE      | AXE ROUES ARRIERE    | HINTERRADACHSE         |
|            | 408        | 22570110/0 | 1                   | PIGNONE DESTRO        | RIGHT PINION          | PIGNON DROITE        | RECHTES RITZEL         |
|            | 409        | 22170800/0 | 1                   | DISTANZIALE           | SPACER                | ENTRETOISE           | DISTANZRING            |
|            | 410        | 22753000/0 | 2                   | SPINA                 | PIN                   | GOUPILLE             | STIFT                  |
|            | 411        |            |                     | ASS. GRUPPO TRAZIONE  | GEAR BOX ASS.Y        | ENS. GROUPE TRACTION | ANTRIEBSATZ            |
|            | —          | 81003059/0 | 1                   | (PLASTICA)            | (PLASTIC)             | (PLASTIQUE)          | (KUNSTSTOFF)           |
|            | —          | 81003060/1 | 1                   | (ALLUMINIO)           | (ALUMINIUM)           | (ALUMINIUM)          | (ALUMINIUM)            |
|            | 412        | 22601904/0 | 1                   | PULEGGIA 4 KM/ H      | PULLEY 4 KM/ H        | POULIE 4 KM/ H       | RIEMENSCHLEIBE 4 KM/ H |
|            | 413        | 12645705/0 | 1                   | SPINA                 | PIN                   | GOUPILLE             | STIFT???               |
|            | 414        | 22033280/0 | 1                   | ASTA REGOLAZIONE      | ADJUSTMENT ROD        | TIGE REGLAGE         | VERSTELLUNGSTANGE      |
|            | 415        | 35063710/0 | 1                   | CINGHIA Z 25          | BELT Z 25             | COURROIE Z 25        | RIEMEN Z 25            |
| 416        | 81001138/0 | 1          | CAVO INFERIORE      | DOWN CABLE            | CÂBLE INFÉRIEUR       | UNTER KABEL          |                        |
| 417        | 22246031/0 | 1          | GIUNZIONE INFERIORE | DOWN JOINT            | CONNECTION INFÉRIEUR  | VERBINDUNG OBEN      |                        |
| 418        | 22042040/0 | 1          | BUSSOLA ISOLAMENTO  | ISOLATION COMPASS     | BOUSSELE DE ISOLEMENT | ABSONDERUNG KOMPAS   |                        |
| 419        | 22246030/0 | 1          | GIUNZIONE SUPERIORE | UP JOINT              | CONNECTION SUPÉRIEUR  | VERBINDUNG UNTER     |                        |
| 420        | 81001150/0 | 1          | CAVO SUPERIORE      | UP CABLE              | CÂBLE SUPÉRIEUR       | OBEN KABEL           |                        |
| 421        | 22041957/0 | 1          | BUSSOLA             | BUSH                  | DOUILLE               | BUCHSE               |                        |
| 422        | 22450063/0 | 1          | MOLLA               | SPRING                | RESSORT               | FEDER                |                        |
| 423        | 22680009/0 | 1          | RONDELLA            | WASHER                | RONDELLE              | SCHEIBE              |                        |
| 424        | 12154510/0 | 1          | DADO                | NUT                   | ECROU                 | MUTTER               |                        |
| 425        | 22110230/0 | 1          | TAPPO               | CAP                   | BOUCHON               | GUMMISTOPFEN         |                        |

- GRUPPO MOTORE ELETTRICO
- MOTOR ASS.Y
- MOTEUR ELECTRIQUE
- ELEKTROMOTOR



T-3662/ L

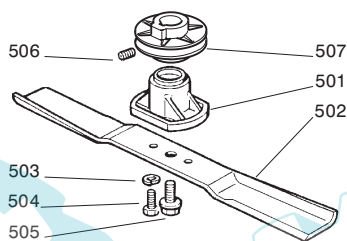
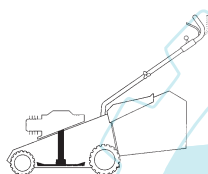
| Pos. Nr. | Codice Code Kodex | Q.tà Q.ty-Q.tè Menge | Descrizione               | Description              | Description               | Beschreibung             |
|----------|-------------------|----------------------|---------------------------|--------------------------|---------------------------|--------------------------|
| 451      | 22785061/ 0       | 1                    | SUPPORTO CAPOTTINA        | COVER SUPPORT            | SUPPORT CAPOT             | HAUBEHALTER              |
| 452      | 12728710/ 0       | 4                    | VITE                      | SCREW                    | VIS                       | SCHRAUBE                 |
| 453      | 18563070/ 1       | 1                    | MOTORE IBMEI 1600W (230V) | IBMEI MOTOR 1600W (230V) | MOTEUR IBMEI 1600W (230V) | MOTOR IBMEI 1600W (230V) |
| 453.1    | 18740049/ 0       | 1                    | VENTOLA MOTORE IBMEI      | IBMEI MOTOR FAN          | VENTILATEUR MOTEUR IBMEI  | IBMEI LÜFTER             |
| 453.2    | 18222038/ 0       | 1                    | CONDENSATORE 20 µF        | CONDENSER 20 µF          | CONDENSEUR 20 µF          | KONDENSATOR 20 µF        |
| 454      | 12735410/ 0       | 4                    | VITE                      | SCREW                    | VIS                       | SCHRAUBE                 |
| 455      | 12583500/ 0       | 4                    | GROWER                    | GROWER                   | GROWER                    | FEDERRING                |
| 456      | 12293200/ 0       | 4                    | DADO                      | NUT                      | ECROU                     | MUTTER                   |
| 457      | 22207211/ 3       | 1                    | FLANGIA                   | FLANGE                   | BRIDE                     | FLANSCH                  |
| 458      | 22720360/ 1       | 1                    | SCHERMO VENTILAZIONE      | VENTILATION SCREEN       | ECRAN VENTILATION         | LÜFTUNGSSCHIRM           |
| 459      | 12691800/ 0       | 4                    | VITE                      | SCREW                    | VIS                       | SCHRAUBE                 |
| 460      | 12139440/ 0       | 1                    | LINGUETTA                 | FEATHER                  | CLAVETTE                  | KEIL                     |
| 461      | 81003471/ 0       | 1                    | DISTANZIALE               | SPACER                   | ENTRETOISE                | DISTANZRING              |

**GRUPPO COLTELLO**

**BLADE ASS.Y**

**GROUPE LAME**

**MESSERSATZ**



D-3662/ 1/ M

T-3662/ 1/ M

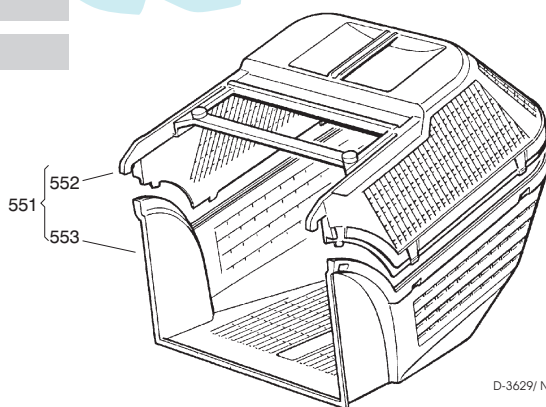
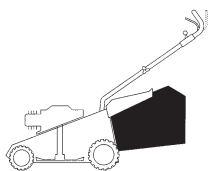
|     |             |   |          |          |          |               |
|-----|-------------|---|----------|----------|----------|---------------|
| 501 | 22463186/ 2 | 1 | MOZZO    | HUB      | MOYEU    | NABE          |
| 502 | 81004341/ 2 | 1 | COLTELLO | BLADE    | LAME     | MESSER        |
| —   | 81004396/ 0 | 1 | STANDARD | STANDARD | STANDARD | STANDARD      |
| —   | 81004396/ 0 | 1 | ALETTATO | WINGED   | AILETTÉE | FLÜGEL        |
| 503 | 12583500/ 0 | 2 | GROWER   | GROWER   | GROWER   | FEDERRING     |
| 504 | 12793101/ 0 | 2 | VITE     | SCREW    | VIS      | SCHRAUBE      |
| 505 | 81004352/ 0 | 1 | VITE     | SCREW    | VIS      | SCHRAUBE      |
| 506 | 12713801/ 0 | 1 | GRANO    | DOWEL    | GRAIN    | STIFT         |
| 507 | 22601911/ 0 | 1 | PULEGGIA | PULLEY   | POUILE   | RIEMENSCHIEBE |

**SACCO RACCOGLIERBA**

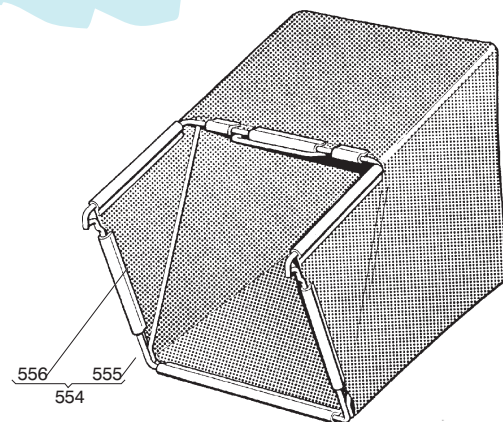
**GRASS-CATCHER**

**BAC DE RAMASSAGE**

**GRASFANGKORB**



D-3629/ N



T-3629/ N

|     |             |   |                    |                      |                       |                 |
|-----|-------------|---|--------------------|----------------------|-----------------------|-----------------|
| 551 | 94004000/ 1 | 1 | SACCO COMPLETO     | COMPLETE GRASS-BOX   | SAC COMPLET           | KOMPLETTER KORB |
| 552 | 22486073/ 0 | 1 | PARTE SUP. SACCO   | UPPER GRASS BOX      | PARTIE SUP. SAC       | OBORKORB        |
| 553 | 22486074/ 0 | 1 | PARTE INF. SACCO   | LOWER GRASS BOX      | PARTIE INF. SAC       | UNTERKORB       |
| 554 | 94005000/ 0 | 1 | ASS. SACCO IN TELA | CANVASS GRASSCATCHER | ENSEMBLE SAC EN TOILE | KOMPLETTER SACK |
| 555 | 81006418/ 0 | 1 | TELAIO             | CHASSIS              | CHÂSSIS               | RAHMEN          |
| 556 | 81002105/ 2 | 1 | TELA SACCO         | FABRIC BOX           | TOILE POUR SAC        | TUCK FÜR SACK   |